



HIGH CAPACITY



CURTTM

The **FIRST** Name
in Towing ProductsTM



5th Wheel to Gooseneck Adapters

- RV1 - 5" offset, w/height adjustment
- RV2 - 9" offset, w/height adjustment
- RV3 - no offset, w/height adjustment
- RVCC - 7.5" offset, w/cushion & adj.



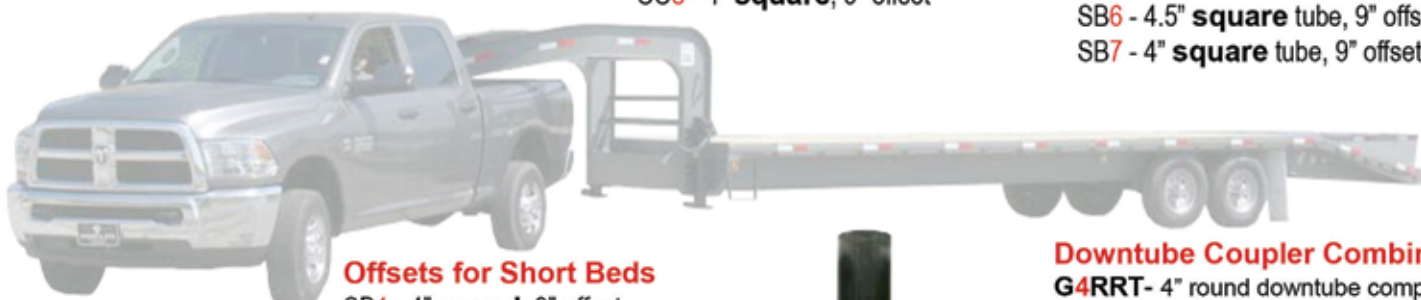
Cushion Couplers

- CC2 - 4" **round**, no offset
- CC4 - 4" **round**, 9" offset
- CC6 - 4.5" **square**, 9" offset
- CC8 - 4" **square**, 9" offset



Gooseneck to 5th wheel adapters

- GN5 - 4" **round** tube, no offset
- GN6 - 4.5" **square** tube, no offset
- GN7 - 4" **square** tube, no offset
- SB5 - 4" **round** tube, 9" offset
- SB6 - 4.5" **square** tube, 9" offset
- SB7 - 4" **square** tube, 9" offset



Offsets for Short Beds

- SB1 - 4" **round**, 9" offset
- SB2 - 4.5" **square**, 9" offset
- SB3 - 4" **square**, 9" offset
- SB116 - 4" **round**, 16" offset
- SB216 - 4.5" **square**, 16" offset
- SB316 - 4" **square**, 16" offset

For Recessed Ball

- SB1XL - 4" **round**, 9" offset
- SB2XL - 4.5" **square**, 9" offset
- SB3XL - 4" **square**, 9" offset



Downtube Coupler Combination

G4RRT- 4" round downtube complete with self-latching coupler, not powder coated.

G4SRT- 4" square downtube complete with self-latching coupler, not powder coated.

G5SRT- 4.5" square downtube complete with self-latching coupler, not powder coated.



Kingpin Adapters for flatbeds

- RV4 - 9" offset for flatbeds
- RV4XL - 9" offset for recessed ball

NOTE: Total length with current pin box and the RV4 or RV4XL combined should be 30" or less in total length from the back of the box to center of pin.



Straight Couplers

- GN1- 4" **round** tube
- GN2 - 4.5" **square** tube
- GN3 - 4" **square** tube



RVGC - Goose Coupler

(Fits lippert models 1621, 0719)
4205A - Adjustable model
4305CA - Cushion Adj. model

(Fits lippert models 1716, 1116, 0115, Fabex models 500,503,520,530. RBW 7028)

4210A - Adjustable model
4310CA - Cushion Adj. model

Call for (Leland, Venture, Youngs, Dexter, and many more)

Both models have 4" adjustable height.

For models not listed please call your sales representative.





TOWING

Our towing equipment is designed and created to the highest industry standards.

CAST COUPLERS

BALL MOUNT

COMBINATION HITCHES

KING PINS

HITCH PIN LOCK

ADJUSTABLE TRI-BALL



TOWING • TABLE OF CONTENTS

Towing

Receiver Hitches	G-2	Receiver Hitch Pins & Clips.....	G-11
Bumper Hitches	G-3	Locking Receiver Hitch Pins & Clips (Receiver Locks).....	G-11
Receiver Tubes	G-3	Pintle Hitches (10,000 lbs - 90,000 lbs Capacity)	G-12
Hitch Ball Mounts for 1-1/4" Receiver Tubes	G-3	Pintle / Hitch Ball Combination Systems	G-12
Hitch Ball Mounts for 2"Receiver Tubes	G-4	Pintle Hitch Accessories.....	G-12
Hitch Ball Mounts for 2" thru 3" Receiver Tubes.....	G-5	Magnetic Hitchin Rod System	G-13
Cushioned Ball Mounts	G-4	Cargo Basket Carriers.....	G-13
Aluminum Ball Mounts	G-4	Towing Mirror.....	G-13
Receiver Tube Adapters	G-5	Adjustable Tow Bar (for towing a vehicle behind an RV)	G-13
Hitch Ball Mount Assemblies	G-6	Weight Distribution & Sway Control Hitch System	G-14
Multi-Ball Hitches (Double Ball, Triple Ball,)	G-6	Fifth Wheel Hitches.....	G-15
Aluminum - Adjustable - Stowable Ball Mount Assemblies	G-7	Gooseneck Hitches.....	G-15
Black - Adjustable - Stowable Ball Mount Assemblies	G-9	Gooseneck Hitch Accessories.....	G-17
Chrome - Adjustable - Stowable Ball Mount Assemblies.....	G-9	Gooseneck / Fifth Wheel Companions	G-17
Hitch Balls	G-10	Tow Vehicle Air-Ride Suspension Helper System	G-18
Hitch Ball Wrench 6-Point 3/4" Closed End to 1" Closed End .	G-10	Removable Liftgate System	G-19
Interchangeable Hitch Convert-A-Ball Systems	G-11		



TOWING • INFORMATION



We offer the BEST price

on all CURT Hitches. CURT's full line of towing products are manufactured to the highest quality, durability, strength, and styling. Most of CURT's receiver hitches are designed for installation in 30 to 60 minutes. All CURT hitches offer a limited lifetime warranty and are made in the USA.



Our Hitches Offer:

- * Limited Lifetime Warranty
- * Powder Coated Finish to resist corrosion
- * Weather-tight construction to prevent rusting from the inside out



SELECTING THE CORRECT RECEIVER CLASS

Receiver Tube Sizes

1 1/4"	UP TO 3,500 LBS GTW
2"	UP TO 17,000 LBS GTW
2 1/2"	UP TO 20,000 LBS GTW

1 1/4" - CLASS I & II	✓	✓	✓			
2" - CLASS III	✓	✓	✓	✓		
2" - CLASS IV	✓	✓	✓	✓	✓	
2" - CLASS V	✓	✓	✓	✓	✓	✓
2" - XTRA DUTY	✓	✓	✓	✓	✓	✓
2 1/2" - COMMERCIAL	✓	✓	✓	✓	✓	✓

NOTE: Refer to owner's manual for vehicle's maximum towing capacity.

HOW MUCH CAN YOU SAFELY TOW?

Estimated Trailer Only Weights

	Aluminum trailer 12-15' - Trailer weight: 200 lbs. 16-20' - Trailer weight: 300 lbs.	Fiberglass trailer Up to 17' - Trailer weight: 200 lbs. 18-20' - Trailer weight: 300 lbs. 21-22' - Trailer weight: 570 lbs.
	Single axle 8' - Trailer weight: 320 lbs. 10' - Trailer weight: 350 lbs.	Tandem axle 12' - Trailer weight: 1,200 lbs. 16' - Trailer weight: 1,800 lbs. 20' - Trailer weight: 1,600 lbs.
	Motorcycles, ATVs, personal watercraft, snowmobiles Carries two (2) - Trailer weight: 350 lbs. Carries four (4) - Trailer weight: 950 lbs.	Toy haulers 20' - Trailer weight: 4,100 lbs. 28' - Trailer weight: 6,000 lbs. 37' - Trailer weight: 12,000 lbs.
	Livestock trailers (gooseneck pull) 16' - Trailer weight: 3,500 lbs. 20' - Trailer weight: 4,000 lbs. 28' - Trailer weight: 5,000 lbs.	Horse trailers (bumper pull) One horse - Trailer weight: 1,800 lbs. Two horses - Trailer weight: 3,100 lbs. Four horses - Trailer weight: 4,500 lbs.
	Campers 17' - Trailer weight: 2,300 lbs. 23' - Trailer weight: 4,200 lbs. 30' - Trailer weight: 4,800 lbs.	5th wheels 26' - Trailer weight: 5,000 lbs. 31' - Trailer weight: 7,800 lbs. 35' - Trailer weight: 10,200 lbs.

1 1/4" Class I & II 1 1/4" x 1 1/4" Receiver Tube Opening

GTW	Up to 3,500 lbs.
TW	Up to 350 lbs.
WD	Not applicable
WTW	Not applicable



2" Class III, IV & V 2" x 2" Receiver Tube Opening

GTW	3,500 lbs. to 12,000 lbs.
TW	350 lbs. to 1,200 lbs.
WD	Up to 14,000 lbs.
WTW	Up to 1,400 lbs.



2" Xtra Duty & Xtra Duty+ 2" x 2" Receiver Tube Opening

GTW	16,000 to 17,000 lbs.
TW	2,400 to 2,550 lbs.
WD	Up to 17,000 lbs.
WTW	Up to 2,550 lbs.



2 1/2" Commercial Duty & Commercial Duty+ 2 1/2" x 2 1/2" Receiver Tube Opening

GTW	18,000 to 20,000 lbs.
TW	Up to 2,700 lbs.
WD	18,000 to 20,000 lbs.
WTW	Up to 2,700 lbs.



2" Front Mount 2" x 2" Receiver Tube Opening

GTW	Up to 5,000 lbs.
TW	Up to 500 lbs.
SLP	9,000 lbs. straight line pull



2" Recreational Vehicle 2" x 2" Receiver Tube Opening

GTW	3,500 lbs. to 5,000 lbs.
TW	350 lbs. to 500 lbs.
WD	3,500 to 6,000 lbs.
WTW	350 to 600 lbs.



BUMPER HITCHES



7350168



7350156



BUMPER HITCHES

ITEM NO.	REF NO.	CAPACITY	DESCRIPTION
7350156	SBH2	3,500	STEP BUMPER RECEIVER 350 LB TW
7350168	19020	5,000	STEP BUMPER HITCH 6" DROP 500 LB TW

RECEIVER TUBES

ITEM NO.	REF NO.	SIZE	LENGTH	DESCRIPTION
7358108	49506	1.25"	6"	RECEIVER TUBE
7358107	49512	1.25"	12"	RECEIVER TUBE
7350319	RT25806	2"	6"	RECEIVER TUBE
7350320	49090	2"	9"	RECEIVER TUBE
7350316	120719	2"	12"	RECEIVER TUBE
7350317	RT25818	2"	18"	RECEIVER TUBE
7350318	RT25824	2"	24"	RECEIVER TUBE
7350111	49360	2"	36"	RECEIVER TUBE
7350213	49510	2.5"	10"	RECEIVER TUBE



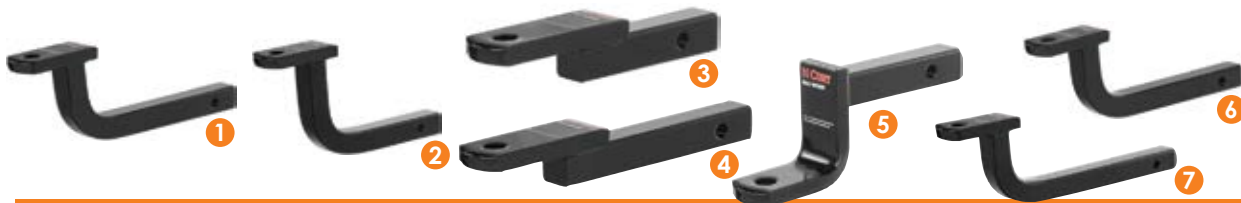
1.25"
7358108



2"
7350319



2.5"
7350213

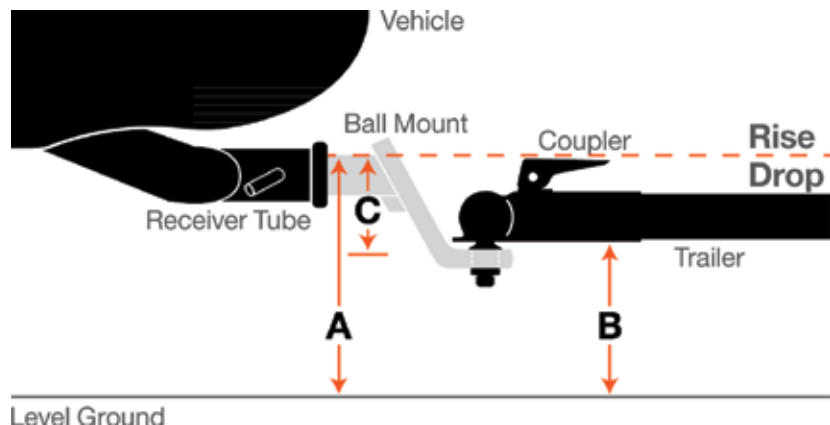


RECEIVER BALL MOUNTS • 1-1/4" RECEIVER

REF NO.	ITEM NO.	CAPACITY	TW	DROP	RISE	LENGTH	HOLE SIZE	PIN SIZE
1	7351237	2,000	200	-	3-3/4"	11-1/2"	3/4"	1/2"
2	7351009	2,000	200	-	5"	9-9/16"	3/4"	1/2"
3	7350211	3,500	350	1-1/4"	3/4"	6-3/4"	3/4"	1/2"
4	7350034	3,500	350	1-1/4"	3/4"	9-3/4"	3/4"	1/2"
5	7350035	3,500	350	3-1/4"	2-5/8"	7-1/4"	3/4"	1/2"
6	7350033	3,500	350	-	3-1/8"	11-1/4"	3/4"	1/2"
7	7351236	3,500	350	-	3-7/8"	13-1/2"	3-4"	1/2"

How To Choose The Right Ball Mount

- A. Distance from the ground to the top of the receiver tube opening.
- B. Distance from the ground to the bottom of the trailer coupler.
- C. The difference from A - B = size of drop or rise you need.



RECEIVER BALL MOUNTS



CONVERT-A-BALL



RECEIVER BALL MOUNTS • 2" RECEIVER • 2" DROP

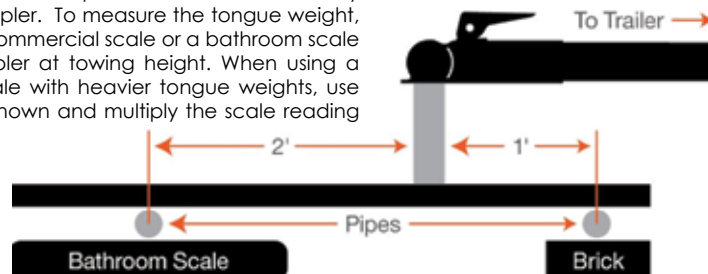
REF NO.	ITEM NO.	CAPACITY	TW	DROP	RISE	LENGTH	HOLE SIZE	PIN SIZE
1	7350029	7,500	750	2"	3/4"	8"	1"	5/8"
2	7350039	7,500	750	2"	3/4"	8"	1"	5/8"
3	7350080	7,500	750	2"	3/4"	10"	1"	5/8"
4	7350030	7,500	750	2"	3/4"	12-1/4"	1"	5/8"
5	7350021	10,000	2,000	2"	3/4"	9.5"	1"	5/8"
6	7350622	14,000	2,000	2"	1"	8-1/4"	1"	5/8"
7	7350628	14,000	2,000	2"	1"	8-1/4"	1"	-
8	7350625	14,000	2,000	2"	1"	8-1/4"	1-1/4"	5/8"
9	7350024	16,000	1,600	2"	1"	8-1/4"	1-1/4"	5/8"
10	7351296	20,000	2,000	2"	1"	8-1/2"	1-1/4"	5/8"



RECEIVER BALL MOUNTS • 2" RECEIVER • 4" DROP

REF NO.	ITEM NO.	CAPACITY	TW	DROP	RISE	LENGTH	HOLE SIZE	PIN SIZE
1	7350038	7,500	750	4"	2"	8-3/4"	1"	5/8"
2	7350023	10,000	2,000	4"	2-3/4"	9-3/4"	1"	5/8"
3	7350623	14,000	2,000	4"	3"	8-1/4"	1"	5/8"
4	7350629	14,000	2,000	4"	3"	8-1/4"	1"	-
5	7350025	16,000	1,600	4"	3"	9-5/8"	1-1/4"	5/8"
6	7351576	20,000	2,000	4"	3"	8-1/2"	1-1/4"	5/8"

Tw - the tongue weight is the amount of the trailer's weight that is placed on the hitch ball by the trailer coupler. To measure the tongue weight, use either a commercial scale or a bathroom scale with the coupler at towing height. When using a bathroom scale with heavier tongue weights, use the method shown and multiply the scale reading by three.



RECEIVER BALL MOUNTS & ADAPTERS



RECEIVER BALL MOUNTS • 2" RECEIVER • 6" DROP

REF NO.	ITEM NO.	CAPACITY	TW	DROP	RISE	LENGTH	HOLE SIZE	PIN SIZE
1	7350036	6,000	600	6"	4-3/4"	10"	1"	5/8"
2	7350512	7,500	750	6"	4"	9" OR 12"	1"	5/8"
3	7350624	14,000	2,000	6"	5"	8-3/4"	1"	5/8"
4	7350026	14,000	2,000	6"	5"	10-3/4"	1-1/4"	5/8"

RECEIVER BALL MOUNTS • 2" RECEIVER • 8" DROP

REF NO.	ITEM NO.	CAPACITY	TW	DROP	RISE	LENGTH	HOLE SIZE	PIN SIZE
5	7350037	6,000	600	8"	6-3/4"	10"	1"	5/8"



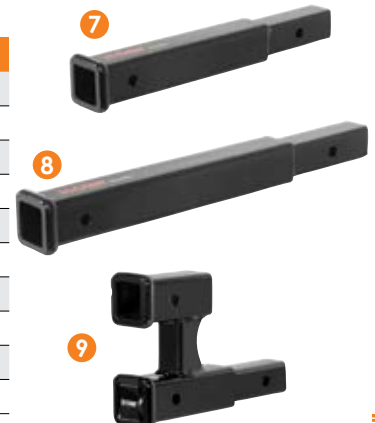
RECEIVER BALL MOUNTS • 2-1/2" RECEIVER

REF NO.	ITEM NO.	CAPACITY	TW	DROP	RISE	LENGTH	HOLE SIZE	PIN SIZE
1	7350689	12,000	1,200	3"	-	10"	1-1/4"	5/8X3.25"
2	7350028	12,000	1,200	5"	-	10"	1-1/4"	5/8X3.25"
3	7350690	12,000	1,200	8"	-	10-1/2"	1-1/4"	5/8X3.25"



RECEIVER BALL MOUNT ADAPTERS

REF NO.	ITEM NO.	CAPACITY	TW	SIZE	EXTENDS	DESCRIPTION
1	7350518	NOT FOR TOWING	-	-	6.25"	ADAPTER 1.25" TUBE TO 2"
2	7350519	NOT FOR TOWING	-	-	10"	ADAPTER 1.25" TUBE TO 2"
3	7350516	3,500	350	-	4"	ADAPTER 2" TUBE TO 1.25"
4	7350517	3,500	350	-	15"	ADAPTER 2" TUBE TO 1.25"
5	7350604	-	-	-	-	ADAPTER 2" TUBE TO 2.5"
8	7350930	3,500	350	2"	8"	EXTENDER 8"
6	7350520	3,500	350	2"	14"	EXTENDER 14"
7	7350521	3,500	350	2"	18"	EXTENDER 18"
9	7350800	3,500	350	2"	8"	PROVIDES ACCESSORY TUBE



RECEIVER BALL MOUNTS & ADAPTERS

BALL MOUNT KITS • MULTI-BALL HITCHES



BALL MOUNT KITS

REF NO.	ITEM NO.	CAPACITY	TW	DROP	LENGTH	BALL	PIN SIZE
1	7350583	7,500	750	2"	8"	2"	5/8"
2	7350658	5,000	750	2"	8"	2"	5/8"
3	7350584	7,500	750	4"	8"	2"	5/8"
4	7351302	15,000	1,500	2"	8-1/2"	2-5/16"	5/8"
5	7351419	7,500	750	6"	8"	2"	5/8"
-	7350685	7,500	750	2"	8"	2-5/16"	5/8"
-	7350585	7,500	750	4"	8"	2-5/16"	5/8"
-	7351420	7,500	750	6"	8"	2-5/16"	5/8"
6	7351303	15,000	1,500	4"	8-1/2"	2-5/16"	5/8"



MULTI - BALL HITCHES

REF NO.	ITEM NO.	1-7/8"	2"	2-5/16"	TUBE	# BALLS	PIN SIZE
1	7350188	-	7,500	10,000	2"	2	5/8"
2	7350711	5,000	7,500	10,000	2"	3	5/8"
3	7350279	6,000	7,500	10,000	2"	3	5/8"
4	7350860	6,000	7,500	10,000	2"	3	5/8"
5	7350934	6,000	7,500	10,000	2"	3	5/8"
6	38180	-	12,000	25,000	3"	2	5/8"



ADJUSTABLE MULTI - BALL HITCHES

REF NO.	ITEM NO.	CAPACITY	DROP	BALL DIAMETER	FINISH	PIN SIZE
1	7350019	6,000	11"	-	PAINTED	5/8"
2	7350869	14,000	6"	2" & 2-5/16"	PAINTED	5/8"

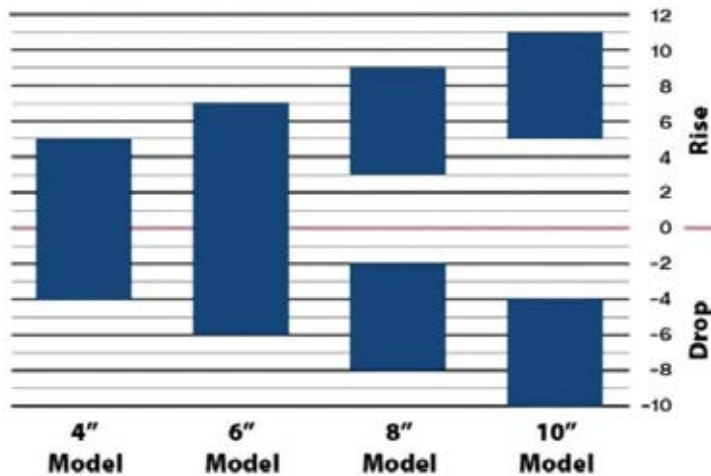


ALUMINUM BALL MOUNT ASSEMBLIES



LOCKING. ADJUSTABLE. ALUMINUM.

FIT GUIDE FOR ALBM and E-SERIES BALL MOUNTS



ALBM Series (Adjustable Locking Ball Mount)

The Flash ALBM gives you dual locks, lightning-quick adjustments, maximum theft protection, and stunning good looks.

ALBM Features:

- Integrated dual lock system - eliminates the need for separate locking hitch and height-adjustment pins.
- Strong Stainless Steel integrated lock pins for maximum theft protection.
- Aircraft-grade aluminum and stainless steel construction for corrosion resistance and outstanding performance.
- 1,000 lb max tongue weight / 10,000 lb max trailer weight.
- Easy access front-facing locks.
- Hand polished mirror finish, making your truck look its best.
- Limited One Year Warranty.



ALBM Flash Models

10K Adjustable Aluminum Ball Mounts with Chrome Balls 2" & 2-5/16" (Self locking) 2" Shank

10K Adjustable Aluminum Ball Mounts with Chrome Balls 2" & 2-5/16" (Self locking) 2.5" Shank

4" DROP 5" RISE	7350634	4" DROP 5" RISE	7350807
6" DROP 7" RISE	7350635	6" DROP 7" RISE	7350808
8" DROP 9" RISE	7350636	8" DROP 9" RISE	7351018
10" DROP 11" RISE	7350806	10" DROP 11" RISE	7351057



ALUMINUM BALL MOUNT ASSEMBLIES

LOCKING. ADJUSTABLE. ALUMINUM.



• STORED POSITION



• RISE POSITION



E-SERIES FLASH MODELS

10K ADJUSTABLE BALL MOUNTS WITH CHROME 2" & 2-5/16" CHROME BALLS (NON-SELF LOCKING) 2" SHANK

4" DROP 5" RISE	7351752
6" DROP 7" RISE	7350391
8" DROP 9" RISE	7351750
10" DROP 11" RISE	7351751



Most Popular!

E Series (Adjustable Pin-Style Ball Mount)

- The Flash E-Series is the best looking pin-style ball mount you can buy. From stunning good looks to fast and easy adjustments, you'll be amazed every time you use it.
- E-Series Features:
 - Fast and easy adjustments, saving you time and effort.
 - Polished aluminum, making your truck look its best.
 - Precision machined for strength and durability.
 - Aircraft-grade aluminum for corrosion resistance and outstanding performance.
 - Super strength alloy for years of safe towing.
 - 1,000 lb max tongue weight / 10,000 lb max trailer weight.
 - Limited One Year Warranty.



• 8200316

Dual Lock Pack specifically designed for the Flash™ E Series ball mount. The locks fit both 2" and 2.5" Tow Vehicle Receivers.



FLASH

FLASH

Every Flash™ ball mount is engineered, precision machined, and hand polished in America, using aircraft-grade aluminum. This means it will look and work great for years.

There is a Flash model to fit every need. Whether you tow multiple trailers, or just one, you won't find a faster, easier, or higher-quality ball mount that looks as great as the Flash.

E SERIES™

Adjustable Pin-style Ball Mount



The engineering, design, and craftsmanship of the E series™ is superior to any other pin-style ball mount on the market. Adjustments are quick and easy, making it effortless to switch between trailers and get on the road faster. Its gorgeous mirror finish will make heads turn every time you tow.

The Fastway Flash E series is the best looking pin-style ball mount you can buy. From stunning good looks to fast and easy adjustments, you'll be amazed every time you use it.

E series features:

- Fast and easy adjustments, saving you time and effort
- Polished aluminum, making your truck look its best
- Precision machined for strength and durability
- Aircraft-grade aluminum for corrosion resistance and outstanding performance
- Super strength alloy for years of safe towing
- 1,000 lb. max tongue wt. / 10,000 lb. max trailer wt.
- Limited One Year Warranty
- Made in the USA



E SERIES MODELS

		4" / 5" drop/rise	6" / 7" drop/rise	8" / 9" drop/rise	10" / 11" drop/rise
2" Shank	ITEM NO.	7351752	7350391	7351750	7351751
	ID NO.	42-00-2400	42-00-2600	42-00-2800	42-00-2900
2-1/2" Shank	ITEM NO.	n/a	7351792	7351793	7351794
	ID NO.	n/a	42-00-2625	42-00-2825	42-00-2925

n/a=not available

HIGH SECURITY KEYED-ALIKE LOCKING PIN AND HEIGHT ADJUSTMENT PIN PACK

ITEM NO.	8200316
ID NO.	86-00-3660





THE LAST HITCH YOU'LL EVER NEED!

Model 12
9" Drop
9-1/2" Rise

Model 10*
7" Drop
7-1/2" Rise

Model 8*
5" Drop
5-1/2" Rise

Model 6
3" Drop
3-1/2" Rise



*Model 10 & Model 8 also available with 2-1/2" shank

AVAILABLE ADJUSTMENTS



TOW & STOW
WITH DROP DOWN PINTLE

AVAILABLE BALL COMBINATIONS

Dual-ball Combination



2-5/16"

2"

Dual-ball Combination



2"

1-7/8"

Tri-ball Combination



1-7/8"

2"

2-5/16"

Pintle Up
Ready to hook on.



Pintle Down
Ready to tow.



Stowed
Ready to go.



Licensed Browning Logo



Black Powder Coat



Chrome

AVAILABLE FINISHES

TOW & STOW BALL MOUNTS

TOW & STOW BALL MOUNTS

REF NO.	ITEM NO.	CAPACITY	TW	DROP	RISE	BALL DIAMETER
1	7350153	10,000	1,000	3"	3-1/2"	2" & 2-5/16"
-	7351699	10,000	1,000	3"	3-1/2"	1-7/8" & 2"
2	7350254	10,000	1,000	3"	3-1/2"	1-7/8", 2" & 2-5/16"
3	7350255	10,000	1,000	5"	5-1/2"	2" & 2-5/16"
-	7351020	10,000	1,000	5"	5-1/2"	1-7/8" & 2"
4	7350388	10,000	1,000	5"	5-1/2"	1-7/8", 2" & 2-5/16"
5	7350251	10,000	1,000	7"	7-1/2"	2" & 2-5/16"
6	7350379	10,000	1,000	7"	7-1/2"	1-7/8", 2" & 2-5/16"
7	7350252	10,000	1,000	9"	9-1/2"	2" & 2-5/16"
8	7350374	10,000	1,000	9"	9-1/2"	1-7/8", 2" & 2-5/16"
9	7351650	10,000	1,000	5"	4-1/2"	2" & 2-5/16"
-	7351651	10,000	1,000	5"	4-1/2"	1-7/8", 2" & 2-5/16"
-	7351652	10,000	1,000	7"	7-1/2"	2" & 2-5/16"
-	7351653	10,000	1,000	7"	7-1/2"	1-7/8", 2" & 2-5/16"
10	7350280	10,000	1,000	3"	3-1/2"	2" & 2-5/16"
-	7351031	10,000	1,000	3"	3-1/2"	1-7/8", 2" & 2-5/16"
-	7350785	10,000	1,000	5"	5-1/2"	2" & 2-5/16"
-	7350792	10,000	1,000	5"	5-1/2"	1-7/8", 2" & 2-5/16"
-	7350792	10,000	1,000	5"	5-1/2"	1-7/8", 2" & 2-5/16"
11	9990036	10,000	1,000	3"	3-1/2"	2" & 2-5/16"
-	7350253	10,000	1,000	3"	3-1/2"	1-7/8", 2" & 2-5/16"
-	7350256	10,000	1,000	5"	5-1/2"	2" & 2-5/16"
-	7350249	10,000	1,000	5"	5-1/2"	1-7/8", 2" & 2-5/16"
12	7350266	B&W REPLACEMENT PIN - 1 EA STAINLESS STEEL & KEEPER CLIP				
13	7350764	10,000	500	DRAW BAR ATTACHMENT 1-1/8" PIN HOLE		

BLACK POWDER COATED

2.5"

CHROME

BROWNING



B&W Tow & Stow - The Only Hitch You Will Ever Need.

Multiple Ball Sizes Eliminate The Need For Multiple Ball Mounts. This Trailer Hitch Stows Under The Vehicle When Not In Use.

- Fits Any Standard 2" Receiver
- Easily Locked Into The Receiver Tube To Prevent Theft
- Height Adjusts In 1" Increments
- Durable Powder-Coat Finish (Also Available In Chrome)
- 2 Process Plating To Help Prevent Corrosion
- Manufactured From High-Yield Tubing
- Limited Lifetime Warranty



TOW & STOW BALL MOUNTS

HITCH BALLS =

HITCH BALLS 1-7/8" BALL DIAMETER							
REF NO.	ITEM NO.	B	C	CAPACITY	RISE (D)	TYPE	TORQUE*
1	6300045	3/4"	2-1/8"	2,000	-	CHROME	160
2	6300047	3/4"	3"	2,000	-	CHROME	160
3	6300026	1"	2-1/8"	3,500	-	CHROME	250

HITCH BALLS 2" BALL DIAMETER							
REF NO.	ITEM NO.	B	C	CAPACITY	RISE (D)	TYPE	TORQUE*
4	6300070	3/4"	3"	3,500	-	CHROME	160
5	6300082	1"	2-1/8"	7,500	-	CHROME	250
6	6300078	1"	2-1/8"	6,000	1"	CHROME	250
7	6300067	1"	2-1/8"	6,000	2"	CHROME	250
8	6300076	1"	3"	7,500	-	CHROME	250
9	6300084	1"	2-1/8"	7,000	-	HT**	250
10	6300237	1"	2-1/8"	7,500	-	CHROME	250
11	6300015	1"	2-1/4"	12,000	-	HT**	250
12	6300086	1-1/4"	2-5/8"	10,000	-	CHROME	450

HITCH BALLS 2-5/16" BALL DIAMETER								
REF NO.	ITEM NO.	B	C	CAPACITY	RISE (D)	TYPE	TORQUE	
13	6300081	1"	3"	6,000	-	CHROME	250	
14	6300079	1"	2-1/8"	7,500	-	CHROME	250	
15	6300226	BALL WRENCH SIX-POINT - FOR BALLS WITH 3/4" OR 1" SHANK						
16	6300191	1"	2-1/4"	10,000	-	CHROME	250	
17	7350396	1"	2-1/4"	12,000	-	HT**	250	
18	6300033	1"	2-1/4"	12,000	-	HT**	180	
19	6300064	1-3/8"	3-1/4"	30,000	1"		650	
20	6300073	1-3/8"	2-1/2"	40,000	-	FORGED		
21	6300031	1-1/4"	2-1/8"	15,000	-	CHROME	450	
22	6300085	1-1/4"	2-5/8"	10,000	1"	CHROME	450	
23	6300074	1-1/4"	2-1/2"	10,000	2"	CHROME	450	
24	6300253	1-1/4"	2-3/4"	20,000	-	HT**	450	
25	6300063	1-1/4"	2-3/4"	30,000	-	HT**	450	
26	6300014	1-1/4"	2-3/4"	30,000	1"	HT**	450	
27	6300013	1-1/4"	2-3/4"	30,000	2"	HT**	450	
28	6300065	1-1/2"	2-3/4"	30,000	2"	HT**	450	
29	6300061	2"	3-1/2"	30,000	-	HT**	450	
30	6300106	2"	4"	30,000	-	HT**	-	

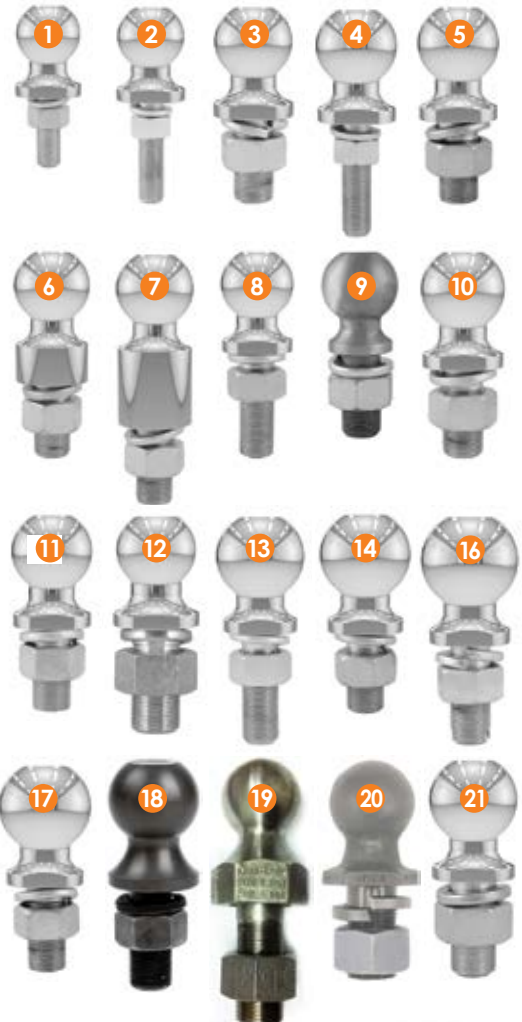
HITCH BALLS 3" BALL DIAMETER							
REF NO.	ITEM NO.	B	C	CAPACITY	RISE (D)	TYPE	TORQUE
31	6300062	2"	3-1/4"	30,000	-	HT**	180

Measuring Your Trailer Hitch Ball



A: Ball Diameter
 B: Shank Diameter
 C: Shank Length
 D: Shank Rise
 ** Heat Treated

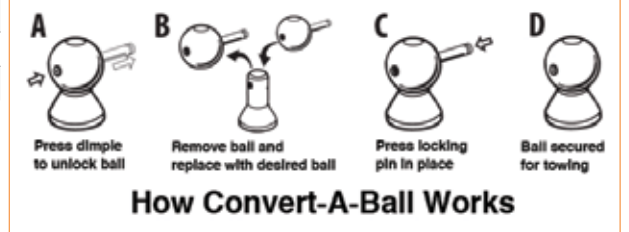
TORQUE SPECIFICATIONS	
SHANK DIAM.	TORQUE
3/4"	160 FT. LBS.
1"	250 FT. LBS.
1-1/4"	450 FT. LBS.
2"	450 FT. LBS.



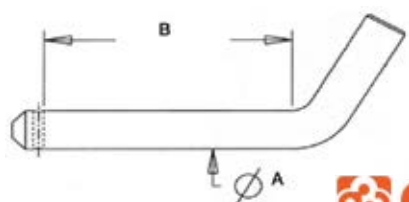
HITCH BALLS =

INTERCHANGEABLE HITCH BALL

INTERCHANGEABLE HITCH BALL						
REF NO.	ITEM NO.	CAPACITY	SHANK		FINISH	BALLS INCLUDED
			DIA.	LENGTH		
1	6300201	10,000	1"	2-1/4"	NICKEL	2" & 2-5/16"
2	6300099	10,000	1"	2-1/2"	NICKEL	1-7/8", 2" & 2-5/16"
3	6300095	10,000	1"	2-1/4"	STAINLESS	1-7/8", 2" & 2-5/16"
4	6300130	10,000	1"	2-1/2"	NICKEL	SHANK ONLY
5	6300127	10,000	1"	3"	NICKEL	SHANK ONLY
6	6300023	10,000	FITS 1"	-	NICKEL	2" BALL ONLY
7	6300018	10,000	FITS 1"	-	NICKEL	2-5/16" BALL ONLY
8	6300088	3-BALL STORAGE CASE FOR INTERCHANGEABLE BALLS				
9	6300132	COVER FOR INTERCHANGEABLE SHANK				



HITCH PINS AND CLIPS				
REF NO.	ITEM NO.	A	B	DESCRIPTION
1	7350210	1/2"	3-1/8"	BENT PIN FOR 1-1/4" RECEIVER TUBE
2	7350315	5/8"	3-1/8"	BENT PIN FOR 2" RECEIVER TUBE
3	7350314	5/8"	4.00"	BENT PIN FOR 2-1/2" RECEIVER TUBE
4	7350062	-	-	REPLACEMENT HITCH PIN CLIP



LOCKING HITCH PINS AND CLIPS				*NOTE: Represents Useable Length
REF NO.	ITEM NO.	DIAMETER	LENGTH*	DESCRIPTION
1	8200353	1/2"	2-3/4"	3.5K PUSH TO LOCK™ CHROME
2	8200351	5/8"	2-3/4"	10K PUSH TO LOCK™ CHROME
3	8200354	KIT	2-3/4"	LOCK PLUS PIN FROM 1/2" & 5/8" PIN
4	8200352	5/8"	2-3/4"	10K PUSH TO LOCK™ STAINLESS
5	7350782	5/8"	2-3/4"	10K PUSH TO LOCK™ CHROME W/SAFE
6	8200350	5/8"	3-1/2"	10K PUSH TO LOCK™ STAINLESS



• More locks listed in Section L - Locks

INTERCHANGEABLE HITCH BALL

PINTLE HITCHES & ACCESSORIES

PINTLE HITCHES

REF NO.	ITEM NO.	CAPACITY	TW	DESCRIPTION	HOLES
1	8550028	10,000	2,000	RECEIVER MOUNT PINTLE 5-TON	-
2	8550015	10,000	2,000	RIGID PINTLE HOOK 5-TON*	4
3	8550022	16,000	3,500	RIGID PINTLE HOOK 8-TON*	4
4	8550016	30,000	6,000	RIGID PINTLE HOOK 15-TON*	4
5	8550017	40,000	8,000	RIGID PINTLE HOOK 20-TON*	4
6	8550059	60,000	12,000	RIGID PINTLE HOOK 30-TON	4
	8550026	-	-	*HARDWARE KIT (4) 1/2" G8, WASHER, NUTS	



PINTLE / HITCH BALL COMBO

REF NO.	ITEM NO.	CAPACITY	TW	DESCRIPTION	NOTES
1	7350659	10,000	2,000	RECEIVER COMBO 6-TON 2"	-
-	7350660	10,000	2,000	RECEIVER COMBO 6-TON 2 5/16"	-
2	8550009	12,000	2,400	RECEIVER COMBO 6-TON 2"	-
-	8550010	12,000	2,400	RECEIVER COMBO 6-TON 2 5/16"	-
3	8550029	16,000	3,000	COMBO HITCH 8-TON 2"	USA
4	8550011	16,000	3,000	COMBO HITCH 8-TON 2-5/16"	USA
5	8550042	16,000	3,000	COMBO HITCH 8-TON 2"	IMPORT
6	8550024	16,000	3,000	COMBO HITCH 8-TON 2-5/16"	IMPORT



PINTLE HITCH ACCESSORIES

REF NO.	ITEM NO.	CAPACITY	TW	DESCRIPTION	HOLES
1	8550020	10,000	2,000	PINTLE MOUNT 2" RECEIVER	4 PAIR
-	8550030	16,000		PINTLE MOUNT 2" RECEIVER	4 PAIR
2	8550021	16,000		PINTLE MOUNT 2" RECEIVER	7 PAIR
3	8550026	-	-	BOLT KIT (4) 1/2" BOLTS WASHER & NUTS	
-	6750248	-	-	REPLACEMENT LOCKING PIN	
-	6300025	-	-	REPLACEMENT 2" BALL	
-	6300022	-	-	REPLACEMENT 2-5/16" BALL	



HEAVY DUTY PINTLE HITCHES

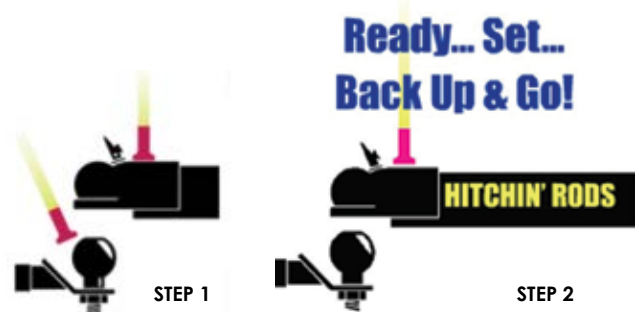
REF NO.	ITEM NO.	CAPACITY	TW	DESCRIPTION
1	8550018	90,000	16,000	RIGID PINTLE HOOK 45-TON*
4	8550082	-	-	BOLT KIT (4) 3/4" BOLTS WASHER & NUTS
2	8550031	30,000	6,000	RIGID PINTLE HOOK 8-TON
3	8550032	50,000	6,000	RIGID PINTLE HOOK 8-TON
4	8550143	-	-	BOLT KIT (6) 1/2" BOLTS WASHER & NUTS



TOWING • ACCESSORIES

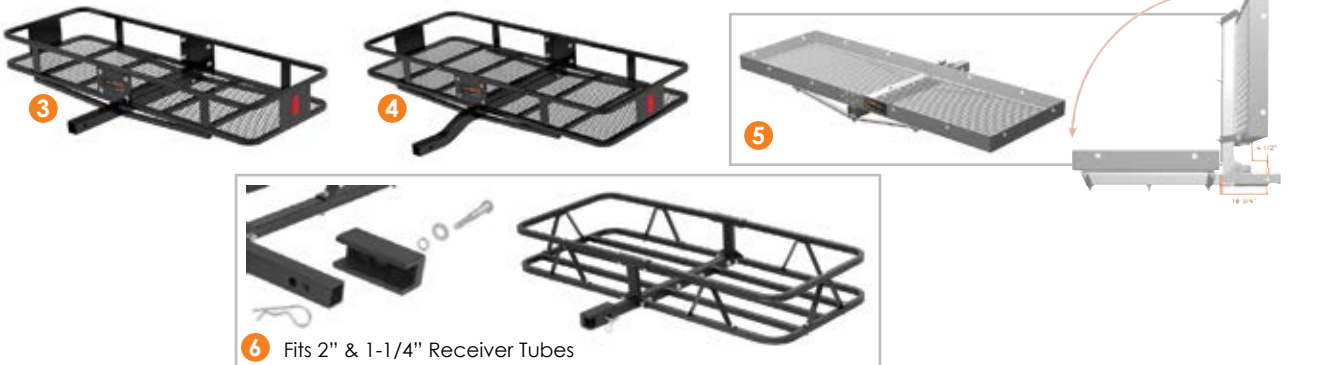
HITCHIN ROD

ITEM NO.	DESCRIPTION
7350274	HITCHIN RODS - TWO RODS 4' LONG WITH MAGNETIC BASE



CARGO CARRIERS

REF NO.	ITEM NO.	CAPACITY	RECEIVER	DESCRIPTION	SHANK
1	7351369	500	2 X 2	CARGO CARRIER 60"X20"X2-3/4"	FIXED
2	7351368	500	2 X 2	CARGO CARRIER 60"X20"X2-3/4"	FOLDING
3	7351367	500	2 X 2	CARGO CARRIER 60"X20"X6"	FIXED
4	7351539	500	2 X 2	CARGO CARRIER 60"X24"X6"	FIXED
5	7351373	500	2 X 2	CARGO CARRIER 60"X20"X2-3/4"	FOLDING
6	7350973	500	1-1/4 & 2"	CARGO CARRIER 60"X20"X6"	FIXED



Items 2 & 5 Folding Shank

TOWING MIRROR

ITEM NO.	DESCRIPTION
8850200	TOW MIRROR - SET FITS LARGER OEM TRUCK MIRROR



Durable all black mirror is fully adjustable to fit most standard oem mirrors.

TOW BAR

REF NO.	ITEM NO.	CAPACITY	RECEIVER	DESCRIPTION
1	7350434	5,000	2 X 2	ADJUSTABLE TOW BAR -26" TO 41" WIDE
2	7350720	-	-	SATETY CHAINS - RUBBER COATED
3	7350441	-	-	REPLACEMENT TOW BRACKETS
4	7350315	-	-	BENT PIN FOR 5/8" X 2" RECEIVER TUBE



IDEAL FOR TOWING A SMALL VEHICLE BEHIND AN RV



e2™ Hitch

SIMPLY THE BEST AND SAFEST HITCH PROVIDING YOU WITH FASTER AND EASIER WEIGHT DISTRIBUTION AND SWAY CONTROL.



Hitch Ball Sold Separately

Old-Fashioned Chain-Style Hitches Don't Provide Built-In Sway Control, And Add-On Sway Controls Are A Hassle To Remove When Backing Or Making Tight Turns. The E2 Hitch's Rigid Brackets Give You Permanent Sway Control, So You Can Get On The Road Faster And Enjoy Your Ride.

E2™ Round Bar Hitches (In Pounds)		
ITEM NO.	TW	CAPACITY
7351716	600	6,000
7351715	800	8,000
7351712	1,000	10,000

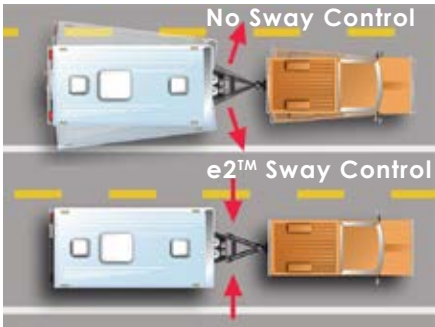
* Trunnion Models Available Special Order.

"An absolutely fantastic product! This Weight Distribution System turned what had been an outright scary towing experience into now an extremely pleasant one in comparison. I recently installed the system and towed my show car in an enclosed 20' trailer over 250 miles. I experienced none of the sway during crosswinds or when semis passed by. No more than I experience with just the truck on the open road. I now feel safe, secure and confident. I have a short-bed, regular cab pick-up and tow a 20' enclosed car transport. GVW of the trailer and show car varies between 6,000 and 7,000 lbs. depending on which car I'm showing and the supplies placed in the trailer."

Don Williams, Omaha, NB ★★★★★

Causes of Sway:

- Crosswinds
- Passing semi trucks
- Road conditions
- Towing speeds
- Tow vehicle ratings exceeded
- Improper loading / load shifting



Without Weight Distribution
Towing without a weight distribution hitch can cause a dangerous loss of steering and braking control.



With e2™ Hitch Weight Distribution
With the e2™ Hitch your trailer's tongue weight is more evenly distributed across both axles of your tow vehicle.



complete solution

- Sway control and weight distribution in one system
- Comes in trunnion and round bar models
- Ten year warranty
- Built-in sway control
- No add-on hassles
- No backing or turning restrictions

Benefits:

- Better steering control
- Better braking control
- More comfortable ride
- Much higher towing capacity
- Less wear and stress on tow vehicle and trailer
- Safer than towing with a ball mount

LESS HASSLE - LESS STRESS - SAFER TOWING

TOWING • WEIGHT DISTRIBUTION & SWAY CONTROL

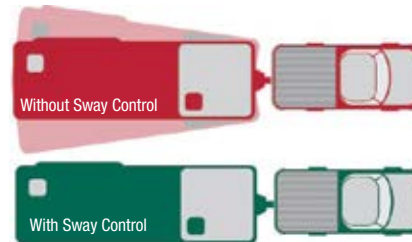


Weight distribution hitches are designed to create a level ride across your tow vehicle and trailer. This is done by equalizing or distributing the tongue weight of the trailer more evenly onto the vehicle's axles.



WEIGHT DISTRIBUTION & SWAY CONTROL

REF NO.	ITEM NO.	ID NO.	DESCRIPTION
1	7350449	17002	ADJUSTABLE ROUND BAR 10K 1K TW
2	7350158	17200	ADD ON SWAY CONTROL FOR 7350449



FIFTH WHEEL HITCHES

REF NO.	ITEM NO.	ID NO.	DESCRIPTION
1	7350866	RVK3200	5TH WHEEL HITCH PATRIOT 16K, RAIL KIT SOLD SEPARATELY
2	7358110	16116	5TH WHEEL HITCH W/RAILS 16K
3	7358112	16131	5TH WHEEL HITCH W/RAILS 20K
4	7358105	16550	ROLLER UNIT FOR 7358112, PROVIDES 12" OF TRAVEL
5	7150066	16246	5TH WHEEL HITCH W/RAILS 24K
6	7351221	16902	REPLACEMENT 5TH WHEEL PINS & CLIPS
7	7150019	16721	5TH WHEEL LUBE PLATE



GOOSENECK

REF NO.	ITEM NO.	ID NO.	DESCRIPTION
1	6300050	75064	FOLDING BALL 2-5/16" GOOSENECK HITCH 25K*
2	6300138	61052	FOLDING BALL 2-5/16" GOOSENECK HITCH 30K*
			*CALL LOCAL BRANCH FOR AVAILABLE MOUNT KITS
3	7350719	16085	SPYDER GOOSENECK HITCH FOR 5TH WHEEL RAILS 25K
4	7350370	16055	BENT PLATE GOOSENECK HITCH FOR 5TH WHEEL RAILS 25K
5	7350371	16100	UNIVERSIAL 5TH WHEEL BASE RAILS WITH BRACKETS
6	7351221	16902	REPLACEMENT 5TH WHEEL PINS & CLIPS
7	6300200	65500	OVER-BED FLAT PLATE GOOSENECK HITCH 13" X 48" 25K



GOOSENECK HITCH • TURNOVERBALL

GOOSENECK HITCHES - TURNOVERBALL			
ITEM NO.	FROM	TO	DESCRIPTION
7351628	2016	2017	2500 & 3500 HEAVY DUTY TRUCKS
7350946	2011	2015	2500 & 3500 HEAVY DUTY TRUCKS
7350666	2007	2017	1500 SHORT BED TRUCKS WITH BOXED FRAME
7350565	2007	2017	1500 LONG BED TRUCKS WITH BOXED FRAME
7350667	2001	2010	2500 HEAVY DUTY TRUCKS
	2007	2010	3500 TRUCKS (WITH 1 BED CROSS MEMBER OVER THE AXLE)
7350560	2001	2007	3500 TRUCKS (WITH 2 BED CROSS MEMBERS OVER THE AXLE)
7350639	1999	2007	1500 & 2500 LD TRUCKS (TUBE FRAME C-CHANNEL BEFORE AXLE)
7350592	1988	1998	1500, 2500 & 3500 SHORT BED TRUCKS
	1999	2000	2500 & 3500 SHORT BED TRUCKS (FULL C-CHANNEL FRAME)
7350591	1888	1998	1500, 2500 & 3500 LONG BED TRUCKS
	1999	2000	2500 & 3500 LONG BED TRUCKS (FULL C-CHANNEL FRAME)
7350642	1973	1987	1500, 2500, & 3500 TRUCKS (REQUIRES DRILLING)
7351739	2017	-	F250 & F350 SUPER DUTY TRUCKS 4WD
7351740	2017	-	F250 & F350 SUPER DUTY TRUCKS 2WD
7350758	2011	2016	F250 & F350 SUPER DUTY TRUCKS
			F450 WITH FACTORY INSTALLED BED
7351484	2015	2017	FORD F150 TRUCKS
7350577	2004	2014	FORD F150 TRUCKS
7350672	1999	2010	F250 & F350 TRUCKS
	2008	2010	F450 WITH FACTORY INSTALLED BED
7350641	1997	2003	F150 & LD F250 TRUCKS & 2004 HERITAGE EDITION
7350593	1980	1998	F250 & F350 WITHOUT OVERLOAD SPRINGS
7350586	1980	1998	F250 & F350 WITH OVERLOAD SPRINGS (REQUIRES DRILLING 2 HOLES)
7350637	1980	1996	F150 TRUCKS
7351088	2013	2017	3500 TRUCKS
7351169	2014	2017	2500 TRUCKS
7351309	2009	2017	1500 TRUCKS
7351066	2013	2013	2500 DIESEL TRUCKS
	2010	2012	2500 & 3500 DIESEL TRUCKS
7351068	2003	2009	2500 & 3500 GAS OR DIESEL TRUCKS - DODGE
	2013	2013	2500 GAS ENGINE TRUCKS
	2013	2013	2500 MEGA-CAB TRUCKS
	2010	2012	2500 & 3500 GAS ENGINE TRUCKS
7350561	2002	2008	1500, 2500, & 3500 MEGA-CAB TRUCKS - DODGE/RAM
	2006	2012	1500 TRUCKS (EXCEPT MEGA-CAB)
7350594	1994	2002	2500 & 3500 TRUCKS
	1994	2001	1500 TRUCKS
7350890	1973	1993	1500, 2500, & 3500 TRUCKS (REQUIRES DRILLING)
7350893	2007	2017	TOYOTA TUNDRA ALL BEDS
7350892	2000	2006	TOYOTA TUNDRA ALL BEDS
7350891	2004	2015	NISSAN TITAN ALL BEDS
7350894	-	-	FLATBED KIT

CHEVROLET / GMC

FORD

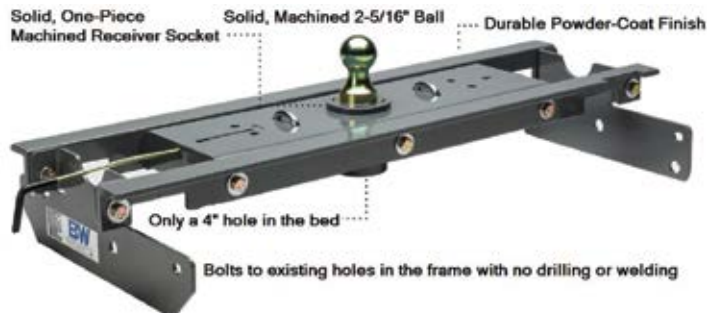
DODGE / RAM

OTHER



A Hitch When You Need It... A Level Bed When You Don't. The B&W Turnoverball Gooseneck Hitch Converts To A Level Bed In Seconds.

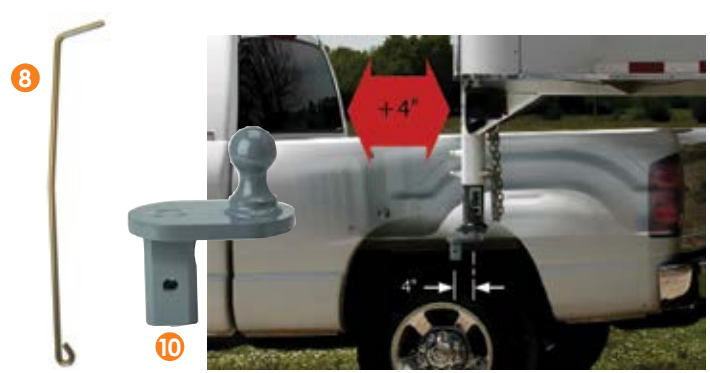
- Solid, Machined 2 5/16" Ball
- Durable Powder-Coat Finish
- Only A 4" Hole In The Bed
- Bolts To Existing Holes In The Frame With No Drilling Or Welding
- Solid, One-Piece Machined Receiver Socket
- Flexible Latch Pin Handle Attached To A Spring Loaded, 5/8" Steel Locking Pin That Goes Completely Through The Ball



GOOSENECK HITCH • TURNOVERBALL ACCESSORIES

GOOSENECK HITCHES • TURNOVERBALL ACCESSORIES			
REF NO.	ITEM NO.	ID NO.	DESCRIPTION
1	7351213	GNXA1700	B&W HITCH PLUG - WILL NOT WORK ON 07-16 TOYOTA
2	7350576	GNXA2000	REPLACEMENT BALL 2-5/16"
3	7350944 7351660	GNXA2006 GNXA2005	REPLACEMENT BALL 2-5/16" FOR 07-16 TOYOTA REPLACEMENT BALL 2-5/16" FOR 09-16 RAM 1500
4	7350899	GNXA2050	REPLACEMENT BALL 2-5/16" HI-RISE 1" (20K)
5	7350901	GNXA2025	REPLACEMENT BALL 3"
6	7350564	GNXA4000	KING PIN ADAPTER FOR TRAILERS WITH INVERTED 5TH-WHEEL HITCHES
7	7350900	GNXA4025	ADAPTER FOR TRAILERS WITH INVERTED GOOSENECK HITCHES
8	7350902	1900	REPLACEMENT LATCH PIN HANDLE
9	7350676	1600	REPLACEMENT SAFETY CHAIN KIT
10	6750279 7951000 6750397	GNXA4085 GNXA4585 GNXA4085	4" OFFSET 2-5/16" BALL 4" OFFSET 2-5/16" BALL FOR 07-16 TOYOTA 4" OFFSET 2-5/16" BALL FOR 09-16 RAM 1500

GOOSENECK HITCHES • TOOLS			
REF NO.	ITEM NO.	ID NO.	DESCRIPTION
11	7358030	GNXA8030	HITCH HELPER - ONE MAN INSTALL KIT
12	7351637	GNNASH	HOLE SAW STARRETT 4" BI-METAL PROFESSIONAL GRADE



GOOSENECK HITCHES • TURNOVERBALL 5TH WHEEL COMPANION			
REF NO.	ITEM NO.	ID NO.	DESCRIPTION
1	7350563	RVK3500	COMPANION 5TH-WHEEL ADAPTER 20K
2	7350897	RVK3050	COMPANION 5TH-WHEEL ADAPTER FOR FLATBED 20K
3	7351240	RVK3300	COMPANION 5TH-WHEEL ADAPTER FOR FORD OEM PUCK 20K
4	7351230	RVK3600	COMPANION 5TH-WHEEL ADAPTER FOR DODGE OEM PUCK 20K
5	7351081	RVK3405	COMPANION 5TH-WHEEL ADAPTER WITH SLIDER 20K
6	7351309	RVP3521	RV POST ENABLES 7350563 TO BE USED WITH 7351309 & 7350892



GOOSENECK HITCH • TURNOVERBALL ACCESSORIES

TOWING • RIDE-RITE

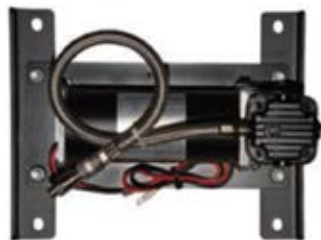
RIDE-RITE				CHEVROLET / GMC
ITEM NO.	FROM	TO	DESCRIPTION	
9100379	2001	2006	SILVERADO / SIERRA 1500HD ALL MODELS 2 & 4WD NO DRILL	
9100359	2007	2017	SILVERADO / SIERRA 1500 ALL MODELS 2 & 4WD NO DRILL	
9100352	2001	2010	SILVERADO / SIERRA 2500 ALL MODELS 2 & 4WD NO DRILL	
9100354	2011	2017	SILVERADO / SIERRA 2500 ALL MODELS 2 & 4WD NO DRILL	
9100352	2001	2010	SILVERADO / SIERRA 3500 ALL MODELS 2 & 4WD NO DRILL	
9100354	2011	2017	SILVERADO / SIERRA 3500 ALL MODELS 2 & 4WD NO DRILL	
9100380	2004	2008	FORD F150 ALL MODELS EXCEPT FX2 2 & 4WD NO DRILL	
9100360	2009	2014	FORD F150 ALL MODELS EXCEPT FX2 2 & 4WD NO DRILL	
9100381	2009	2014	FORD F150 WITH B&W HITCH 2 & 4WD NO DRILL	
9100382	2015		FORD F150 ALL MODELS EXCEPT RAPTOR 2 & 4WD NO DRILL	
9100383	2005	2007	FORD F250 ALL MODELS 2WD	
9100373	2005	2007	FORD F250 ALL MODELS 4WD	
9100353	2008	2010	FORD F250 ALL MODELS 2 & 4WD NO DRILL	
9100383	2005	2007	FORD F350 ALL MODELS 2WD	
9100373	2005	2007	FORD F350 ALL MODELS 4WD	
9100353	2008	2010	FORD F350 ALL MODELS 2 & 4WD NO DRILL	
9100426	2011	2016	FORD F350 ALL MODELS GASOLINE 2 & 4WD NO DRILL	
9100426	2011	2016	FORD F350 ALL MODELS DIESEL 2 & 4WD NO DRILL	
9100385	2002	2008	RAM 1500 ALL MODELS EXCEPT MEGA CAB 2 & 4WD NO DRILL	
9100388	2009	2016	RAM 1500 ALL MODELS EXCEPT POWER RAM 2 & 4WD NO DRILL	
9100106	2003	2013	RAM 2500 ALL MODELS 2 & 4WD NO DRILL	
9100355	2014	2017	RAM 2500 ALL MODELS 2 & 4WD NO DRILL	
9100106	2003	2012	RAM 3500 ALL MODELS 2 & 4WD NO DRILL	
9100356	2013	2017	RAM 3500 ALL MODELS 4WD NO DRILL	
9100357	2014	2016	RAM 3500 ALL MODELS 2WD NO DRILL	
9100393	2007	2016	RAM 3500 CAB & CHASSIS 2 & 4WD	
9100395	2005	2015	NISSAN TITAN ALL MODELS 2 & 4WD NO DRILL	
9100361	2007	2017	TOYOTA TUNDRA ALL MODELS 2 & 4WD NO DRILL	



Firestone air spring systems are designed to maximize safe load carrying capacity, stability and overall ride quality. They are designed and assembled in the USA. Ride-Rite air springs use the same Firestone technology used on many heavy-duty trucks & trailers on the road today.

- Improved handling, braking and load control.
- Reduced wear & tear on vehicle suspension
- A better ride by increasing vehicle stability and road shock.

AIR CONTROL KITS		
ITEM NO.	REF NO.	DESCRIPTION
9100364		CLASSIC ANALOG SINGLE LEVELING SYSTEM - 2158
9100367		CLASSIC ANALOG DUAL LEVELING SYSTEM - 2178
9100365		HEAVY DUTY ANALOG SINGLE LEVELING SYSTEM - 2097
9100371		HEAVY DUTY ANALOG DUAL LEVELING SYSTEM WITH AIR TANK - 2168
9100370	5	AIR COMMANDER DIGITAL REMOTE SINGLE LEVELING SYSTEM - 2581



Compressor system can be preassembled before mounting to vehicle. Assembly can then be easily attached to the frame without drilling using the included clamps and u-bolts.

NO-DRILL BRACKET FOR ABOVE AIR CONTROL KITS

ITEM NO.	DESCRIPTION
9100362	USE WITH 9100364, 9100367 OR 9100365
9100372	USE WITH 9100371
9100363	USE WITH 9100370



AIR COMMAND™ F3

See what sets us apart from the competition

- SEALED ECU
- HEAVY GAUGE NYLON TUBING
- SEALED RELAY
- LOOMED HARNESS
- METAL FITTINGS
- FASTENERS AND TIES FOR EASY INSTALLATION
- DIGITAL REMOTE WITH MEMORY
- TAPS TO FUSE NO SPLICING!
- ONLY 3 WIRES TO VEHICLE
- SEALED CONNECTIONS

TOWING • LIFTGATOR



LIFTGATOR

ITEM NO.	CAPACITY	DESCRIPTION
8600157	900	LIFTGATOR LTE REMOVABLE HITCH MOUNTED LIFT 4'X4' FOLDING PLATFORM
8600158	1200	LIFTGATOR XTR REMOVABLE HITCH MOUNTED LIFT 4'X4' FOLDING PLATFORM



Removable Liftgates that attaches to any truck with a receiver tube. It fits both 2 inch and 2-1/2 inch receiver tubes with a maximum height of 24 inches. Maximum bed height is 48 inches.

The LiftGator XTR is ideal for fleet and professional use. This 1,200 lbs capacity removable liftgate features a self contained battery system allowing the LiftGator XTR to be attached to any truck at any time. This makes the XTR an optimal solution for users with multiple trucks. Over 40 lifts can be completed from a single charge, and the LiftGator XTR can easily be recharged from a truck's 7-pin trailer connector or a 110v outlet.



The LiftGator LTE provides ample loading area and can easily be folded by a single person. This 900 lbs capacity removable liftgate is powered by a quick connect to the truck battery (wiring kit included). The LTE is the perfect solution for the everyday and the occasional user.



POWER OPTIONS:



TOWING • LIFTGATOR

Firestone



Air Command™ F3 Wireless Kit



Instant air source for use with Ride-Rite™ air springs. Adjust your ride for various load and road conditions, with the simple click of a button.

- + Easy to read LED display
- + Extreme-weather resistant
- + Remote compatible with iPhone 4* mounting accessory
- + On-the-go one push pressure adjustment
- + Mount anywhere compressor and ECU
- + 2 memory presets
- + Easy install – only 3 wires to vehicle
- + Left and right air pressure control and side-to-side leveling



#2581

Kit includes a Firestone Air Compressor, wireless remote, install guide, hardware, ECU and relay.

*iPhone is a registered trademark of Apple Inc.

All-In-One Kit

RIDE-RITE AIR SPRINGS + AIR COMMAND F3

All-In-One kits are a great value compared to purchasing components separately.

Two great products - one easy to order kit

ALL-IN-ONE KITS			
Make/Model	Year	Rear Analog Kit	Rear F3 Wireless Kit
Chevrolet/GMC Pickup Trucks			
Silverado, Sierra 2500HD, 3500HD (2WD, 4WD)	11-17	2807	2806
Silverado, Sierra 2500HD, 3500HD (2WD, 4WD)	01-10	2809	2808
Ford Pickup Trucks			
F250, F350 (2WD, 4WD)	11-16	2803	2802
F250, F350 (2WD, 4WD)	08-10	2801	2800
F250 Over 8,500 GVWR (2WD, 4WD)	99-04	2801	2800
F350 (2WD, 4WD) (not V10 gas w/extended cab & 8' bed)	99-04	2801	2800
Ram Pickup Trucks			
Ram 1500 Mega Cab (2WD, 4WD)	06-08	2805	2804
Ram 2500 (2WD, 4WD)	03-13	2805	2804
Ram 3500 (2WD, 4WD)	03-12	2805	2804
Toyota Pickup Trucks			
Tundra (2WD, 4WD), TRD	07-17	2811	2810

Optional mounting kits sold separately



RIDE-RITE™ EXTREME DUTY AIR SPRINGS

Built for use in the most demanding applications



- 150 PSI operating pressure
- Grade 8 fasteners
- Installed in under 1.5 hrs
- Excellent corrosion resistant coating
- In-hitch compatible
- High alloy steel brackets
- Commercial grade rubber
- No drill



RED AIR SPRING KITS			
Make/Model	Year	Air Leveling Rear Kit	
Chevrolet/GMC Pickup Trucks			
Silverado, Sierra 2500HD (2WD, 4WD)	11-17	2702	
Silverado, Sierra 2500HD (2WD, 4WD)	01-10	2700	
Silverado, Sierra 3500HD (2WD, 4WD)	11-17	2702	
Silverado, Sierra 3500HD (2WD, 4WD)	01-10	2700	
Ford Pickup Trucks			
F250 (2WD, 4WD)	11-16	2703	
F350 (2WD, 4WD)	11-16	2703	
F450 (2WD, 4WD)	11-13	2703	
Ram Pickup Trucks			
Ram 2500 (2WD, 4WD)	14-17	2706	
Ram 2500 (2WD, 4WD)	03-13	2701	
Ram 3500 (4WD only)	13-17	2705	
Ram 3500 (2WD, 4WD)	03-12	2701	

* Do not exceed the vehicle's recommended Gross Vehicle Weight Rating (GVWR)



TOP SELLING RIDE-RITE KITS		
Make/Model	Year	Air Leveling Rear Kit
Chevrolet/GMC Pickup Trucks		
Silverado, Sierra 1500 (2WD, 4WD)	07-17	2430
GMC 1500, 2500 (2WD, 4WD)	88-98	2025
Silverado, Sierra 2500, 3500 HD (2WD, 4WD)	11-17	2596
Silverado, Sierra HD 2500, 3500 (2WD, 4WD)	01-10	2250
GMC 2500 (2WD, 4WD) with rear drum brakes	99-00	2025
GMC 3500 (2WD, 4WD)	88-00	2025
Dodge/Ram Pickup Trucks		
Ram 1500 Mega Cab (2WD, 4WD)	06-08	2299
Ram 1500 (2WD, 4WD)	02-08	2286
Ram 2500 (4wd only)	14-17	2598
Ram 2500 (2WD, 4WD)	03-13	2299
Ram 3500 (2WD only)	10-17	2579
Ram 3500 (4WD only)	10-17	2560
Ram 3500 (2WD, 4WD)	03-12	2299
Dodge D+W 100,1500, 2500	69-01	2071*
Ford Pickup Trucks		
F150 (2WD, 4WD) (not raptor of FX2)	15-16	2582
F150 (2WD, 4WD)(not raptor of FX2)	09-14	2525**
F150 (2WD, 4WD)(with B&W hitch only)	09-14	2542**
F100-150	69-96	2071*
F250, F350 (2WD, 4WD)	11-16	2597
F250, F350 (2WD, 4WD)	17	2600
F250, F350 (2WD, 4WD) (not V10 gas w/extended cab & 8')	99-04	2550
F250, F350 (2WD, 4WD)	08-10	2550
F250, F350 over 8500 GVWR (2WD, 4WD) (not V10 gas w/extended cab & 8')	99-04	2550
F250 Over 8500 GVWR (4WD only)	69-04	2071*
F250 Over 8500 GVWR (2WD only)	69-98	2071*
F350 (2WD)	63-98	2071*
Toyota Pickup Trucks		
Tundra (2WD, 4WD), TRD	07-16	2445

* 7.5" tire to frame minimum clearance

** 6" tire to frame minimum clearance

** 6" tire to frame minimum clearance

THE ADDED SUPPORT YOUR SUSPENSION NEEDS.